

GENERATING **PRIME** SET

DIESEL GENSET 500kVA (Prime Power)

PRD500D
500kVA

50Hz



Specification, picture, dimension may change without notice due to product improvement.

Engine Specs

Type	: DEUTZ BF 8M 1015 CP
Power Output Gens. [kW]	: 448
Electrical Output Gens. [kVA]	: 500
Speed [Rpm]	: 1500
Frequency [Hz]	: 50
No of cylinders	: 8
Displacement [l]	: 15.9
Bore/Stroke [mm]	: 132 / 145
Injection System	: Inline pump
Compression Ratio	: 16.5 : 1
Mean Effective pressure [bar]	: 21.9
Cooling System	: Water cooling with Radiator
Fuel Consumption [l/h]	: 118 (100% Load)
Oil Capacity [l]	: 45

Alternator Specs

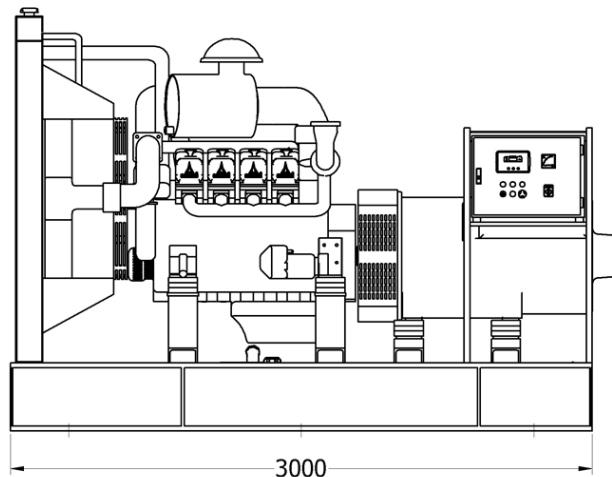
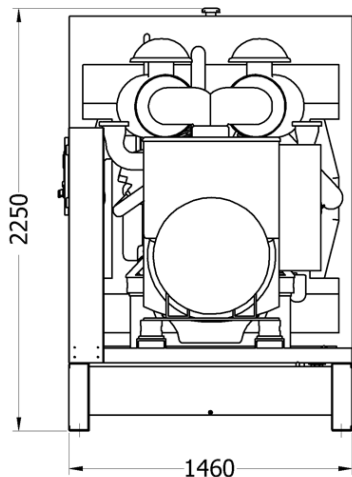
Type [3 Phases, Single Bearing]	: LEROY SOMER, : STAMFORD HC1544D or : MECC ALTE (or equivalent)
Rated Output [kVA]	: 500
Speed [Rpm]	: 1500
Frequency [Hz]	: 50
Insulation	: Class H
Protection	: IP 23

Accessories

Radiator Cooling	: as DEUTZ standard
Radiator & Engine Capacity	: 116 L
Digital Control Panel, consist of	: DEEP SEA ELECTRONICS (DSE 7320) Module, parameter : •Volt meter, •Auto Start Control (AMF), •Hour meter, •Speed Control, •Engine lube oil pressure gauge, •Engine coolant Temperature gauge) , : Start key switch : Charging control lamp : Control fuse : Emergency Stop Button
Batteries	: 24Volts, 2 x 143Ah (minimum capacity) : Set of Connection cables and Cable terminals
Exhaust System	: Industrial exhaust silencer
Air Filter	: Dry Type
Baseframe	: Steel Channel construction (include daily tank for 8hrs operation)
Engine and Alternator Mounting	: Rubber metal elements
Set of Operation books	: User's Manual

Genset Dimension and Weight

Dimension Approx. [mm]	: 3000 x 1460 x 2250
Dry Weight Approx. [kg]	: 3450
Operating Weight Approx.	: 4275



TRIANA BINTANG Pts, Ltd.

DEUTZ AG Authorized distributor.

Telp : 62-24-658-1760

Fax : 62-24-658-1759

Wisma Energie

Jl.Raya kaligawe Km.7 no 311

Semarang – Central Java

Indonesia

**GENERATING
PRIME SET**